

SMARTCOOL™

ECO³™



* Image is 50% of actual size

FEATURES

- Compatible with existing controls
- No risk to current equipment or contents
- Maintains temperature performance
- Simple installation, even outdoors
- Optimizes heating & cooling cycles of compressor driven heat pumps

HIGHLIGHTS

15% Reduction in kWh Consumption

Set & Forget Technology

Easily Verifiable Savings

APPLICATIONS

Energy consumption is a major operating cost for businesses. The ECO³™ can reduce these costs by saving energy on air conditioning and refrigeration systems without affecting temperature or humidity. This improves the bottom line for any business while also providing substantial environmental benefits. Convenience stores, restaurants, supermarkets, telecom sub-stations, commercial real estate, hotels, schools and hospitals are just a few of the businesses where the ECO³™ can save money.



Air Conditioning Units

- Maintains occupant comfort levels
- Installs on single or dual compressor A/C units
- Can optimize the heating & cooling cycles of compressor driven heat pumps

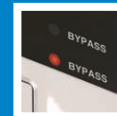
Refrigeration Units

- Maintains set temperature within refrigerated space
- Compatible with single compressor refrigeration systems



Smartcool's unique proprietary software reduces compressor runtime and energy usage by as much as 30%, saving companies money and increasing profitability

Simple wall mount and product installation with IP64 rating for outdoor use



Can be placed in bypass to demonstrate savings between ON and OFF modes. Auto returns to savings after bypass

Digital display to show savings being achieved



Simple installation which can be completed in under 2 hours by a qualified technician

SMARTCOOL™

COMPRESSOR OPTIMIZATION

The ECO³™ is a green technology that reduces the electricity consumption (kWh) and maximum demand (KW) of air conditioning and refrigeration compressors.

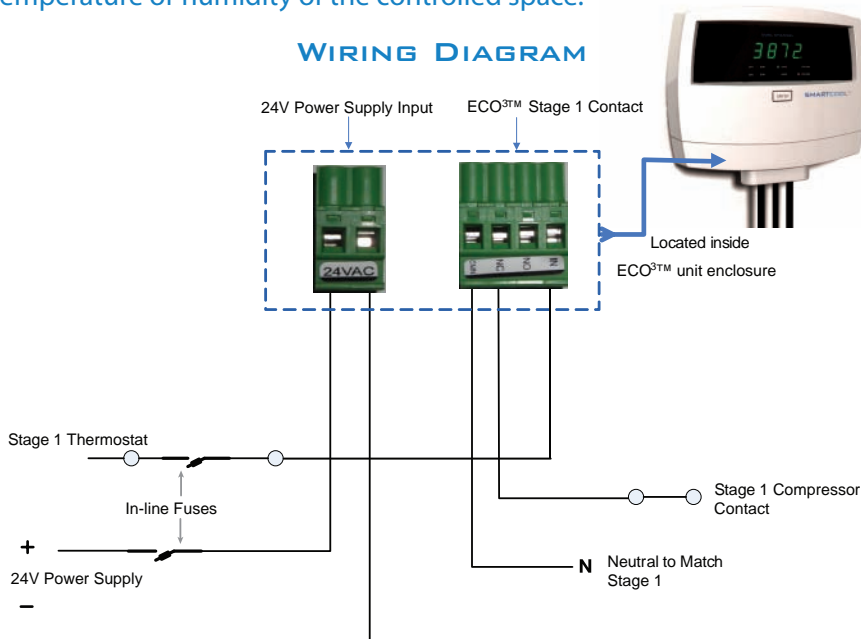
Rather than replacing existing equipment, the ECO³™ works in conjunction with existing controls and equipment in order to ensure that compressors work at maximum efficiency, while maintaining preset temperatures and without causing over-cycling.

The ECO³™ enables businesses to reduce the electricity usage of refrigeration and air conditioning compressors by 15% to 30%. A client installing this unique technology can expect a 2 to 3 year payback period.

OPERATION

The ECO³™ Single Channel is compatible with any air conditioning or refrigeration system with a single compressor. The Dual Channel model is compatible with any air conditioning system with two compressors. Both models wire directly into the control circuit between the existing control device and the compressor. Energy savings are easily monitored on the display, and the ECO³™ can be manually bypassed if desired. Energy consumption of the compressors is reduced without any impact on the temperature or humidity of the controlled space.

WIRING DIAGRAM



INFO@SMARTCOOL.NET

WWW.SMARTCOOL.NET

Or contact an independent distributor:



Van's Electric
430 North G Street
Lake Worth, FL, 33460 USA

Tel. 561.588.3854
Toll Free. 888.534.4089
www.vans-electric.com

CASE STUDY

Facility : Supermarket
Equipment: Four Coolmatic single compressor A/C units
ECO³™ Equipment: Four ECO³™ Single Channel

16.10%
KWH SAVINGS

29,000 KWH
ANNUAL KWH REDUCTION

28 MONTHS
RETURN ON INVESTMENT

STANDARDS COMPLIANCE

Quality Assurance: Complies with ISO 9001
North America: Complies with UL 916 & UL C22.2 No 205-M1983
Europe (CE): Complies with EN60730 (IEC 730) & EN60950: 2000
Complies with EMC directive EN55022, EN55024, 89/336/EEC & 93/68/EEC
Australia: Complies with AS2064, AS3100 & AS3260



	Single Channel	Dual Channel
Operating Voltage	24VAC, 350mA	24VAC, 350mA
Display	4 digit, 7 segment, 3 LED indicators	4 digit, 7 segment, 3 LED indicators
Enclosure	IP64	IP64
Dimensions	Height 145MM (5 11/16") Width 159MM (6 1/4") Depth 27MM (1 1/16")	Height 145MM (5 11/16") Width 159MM (6 1/4") Depth 27MM (1 1/16")
Environment	-30° - 60° C (-22° - 140° F)	-30° - 60° C (-22° - 140° F)
Channels	One	Two
Input Voltage	240VAC (max)	240VAC (max)
Contact Rating	240VAC, 360VA, B300	240VAC, 360VA, B300

Organizations



Corporate Recognition



TSX Venture Exchange
TSX Venture is a trade-mark of TSX Inc. and is used under license